

## LED Flashing Beacons

### BDL250 • LED MARINE LANTERN



The BDL250 is a high-performance, versatile, rugged and lightweight marine flashing beacon, especially designed for high efficiency, low cost and very low maintenance.

Ideal for medium range shore installations of up to 15 n.m.

It uses a moulded lens cover of 250 mm diameter and high efficiency moulded condenser lens for each high power LED.

Lantern base is made from high-quality moulded composite plastic, giving an exceptional lantern durability and resistance.

This gives a low installation and maintenance cost, and an extraordinarily long service life in severe marine operating environments.

#### Features

---

- Polycarbonate high-performance moulded lens cover, UV stabilised.
- White, red, green or yellow colours are available (according to IALA Recommendations).
- Lantern base made in high-quality moulded polyamide & fiberglass composite, very resistant to marine environment.
- Diode array from one to five tiers of 15 light emitting high-intensity diodes each.
- DES33 flasher, microprocessor controlled and Pulse Width Modulation (PWM) regulation, programmable through microswitches, 256 selectable rhythms.
- Integral bird spikes.
- Hinged opening for easy service access.
- Easy-handling stainle ss-steel bolted closure.
- O-ring gasketed flange.
- Unsurpassable service life, absolutely sealed photocell gland ( $\frac{3}{4}$ " thread), base mounted as standard.

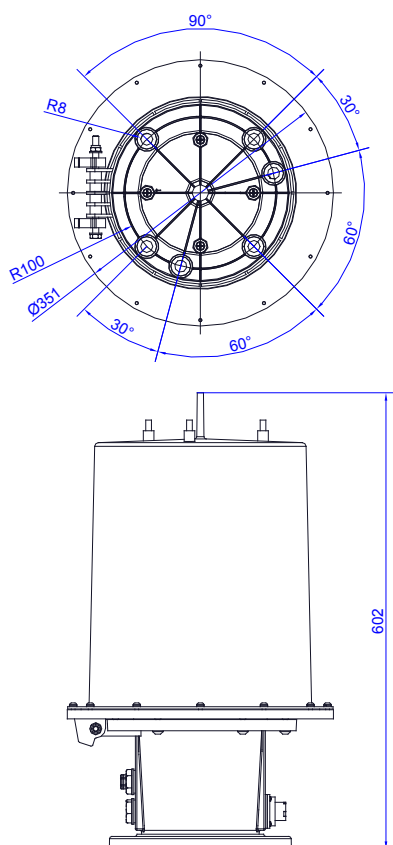
#### Options

---

- SYNC-GPS synchroniser.
- GSM/GPRS Modem.
- Remote control and monitoring.
- Communication cable DES-COM / ProDES programming software.

## Technical specifications

- Polycarbonate high-performance moulded lens cover, UV stabilised.
- Luminous nominal range up to 15 n.m. ( $T = 0.74$ ).
- Standard lens cover UV stabilised of 250 mm diameter. Internal high-quality precision condenser lens units (maximum 75 units).
- Input Power for each LED tier (light on): 30W LED tier.
- Ideal for solar remote shore installations.
- Vertical divergence at 50 % peak intensity:  $4^\circ$
- Good resistance to impact.
- Mounting flange allows either three or four bolt installation within a standard 200 mm bolt hole circle.
- Colours available in clear, red, green and yellow.
- Operational lifetime of LEDS > 100,000 hours.
- DES33 flasher.
- Watertightness degree: IP-66
- Electromagnetic compatibility
- Net weight: 10 kg
- Shipping data: 45 x 45 x 87 cm , 13 kg (cartoon)



Colour	Nominal range				
	1 Tier lo (Cd)	2 Tiers lo (Cd)	3 Tiers lo (Cd)	4 Tiers lo (Cd)	5 Tiers lo (Cd)
White	2950	5900	8850	11800	14750
Green	2250	4500	6750	9000	11250
Red	2100	4200	6300	8400	10500