

LED Flashing beacons

BSL120 • SELF CONTAINED SOLAR LED LANTERN



The BSL120 is a flashing marine LED beacon, self-contained, strong and lightweight, self-powered, especially designed to obtain high luminous efficiency with low cost and minimum maintenance. Ideal up to 3.5 n.m. nominal range installations. The solar modules distribution makes it suitable for floating installations.

The lantern uses a 120 mm diameter fresnel lens and high optical quality internal condenser. Lantern base is made from high quality moulded composite plastic, giving an exceptional lantern durability and resistance.

The solar modules are strong and compact. This gives a low installation and maintenance cost, and a long service life in severe marine operating environments.

Features

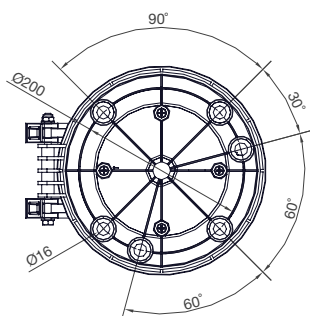
- Acrylic (methacrylate) moulded lens, UV stabilised, with an excellent luminous output.
- Clear, red, green or yellow colours are available, according to IALA Recommendations.
- Lantern base made in high-quality moulded polyamide and fiberglass composite, very resistant to marine environment.
- Diode array consisting of one tier of 20-24 high intensity light emitting diodes.
- DES10 flasher, microprocessor controlled, 256 rhythm selection, photocell and solar charge regulator incorporated.
- O-ring gasketed flange.
- Mono-crystalline solar module of 2.5W
- Absorbed electrolyte (AGM-Absorbed Glass Mat) battery inside lantern base, totally free of maintenance.
- Stainless-steel bolted closure.
- External programming by infrared rays.
- Connector for battery charging and programming.

Options

- Remote control and monitoring.
- Communication cable DES-COM / ProDES programming software.
- Flash characteristic and basic functions programmable through universal IR remote.

Technical specifications

- Luminous nominal range exceeding 3.5 n.m. ($T = 0.74$).
- Standard vertical prism 120 mm diameter lens cover, UV stabilised.
- Internal high-quality precision condenser lens units for each LED tier.
- Vertical divergence at 50% peak intensity: 8° - 10°
- Especially recommended for channel markers, piers, marine obstructions, structures, fish farms,...
- Ideal for buoys to maintain light visibility under high angles of heel.
- Good resistance to impact.
- Operational lifetime of LEDs > 100,000 h
- Mounting base for three or four bolts uniformly distributed over a standard 200 mm diameter bolt hole circle.
- Available colours: clear, red, green and yellow.
- Blue colour available on request.
- Sealed battery, maintenance free of 6 V / 12 Ah C_{20}
- Photovoltaic module of 16 silicon cells and 6 V / 2.5 W
- Ventilation valve.
- Disconnexion for storage and transport system.
- External programming by infrared rays.
- Watertightness degree of luminous and control system: IP-67.
- Electromagnetic compatibility **CE**
- Net Weight:
 - 12 Ah Version: 6 kg
 - 24 Ah Version: 8 kg
- Shipping data: 30 x 30 x 45 cm (0,04 m³),
 - 12 Ah Version: 8 kg
 - 24 Ah Version: 10 kg



Colour	Nominal range	
	Io Cd	n.m.
White	25	3.5
Green	25	3.5
Red	25	3.5
Yellow	25	3.5

