

SERIE SPK • SOLAR POWER SYSTEMS



SPK are autonomous solar power systems, capable of feeding up to 10 n.m. range beacons.

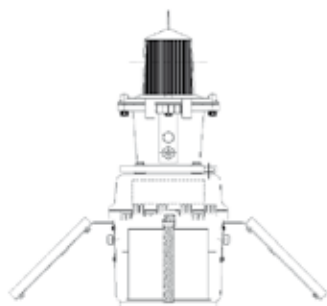
The design of their different configurations make it suitable for feeding both shore and sea installations. Its low installation and maintenance cost makes them suitable even for sites in which electrical commercial lines are available.

Its battery box, which also contains the charge regulator, is made in exceptionally resistant and durable composite. This provides the kit with an extraordinary service life in very adverse marine environments.

Features

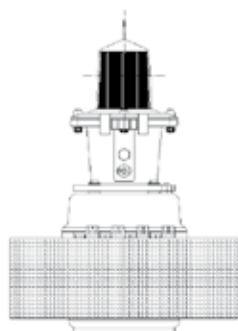
- Battery box manufactured in composite (fiberglass and polyamide) with great resistance to marine environment.
- Four standard configurations, suitable for buoys or beacons on shore.
- Gelled electrolyte battery, totally maintenance free.
- Solar modules: 10 W, 36 mono-crystalline silicon cells, with anodised aluminium frames, suitable for marine use.
- Solar module aluminium support, and hardware in stainless steel.
- Charge regulator incorporated in DES10 flasher for LED beacons, for other beacons SPC66 regulator included.
- Includes cables and necessary connectors for its adequate installation.
- Electromagnetic compatibility **CE**
- Water-tightness degree: IP-67

Technical specifications



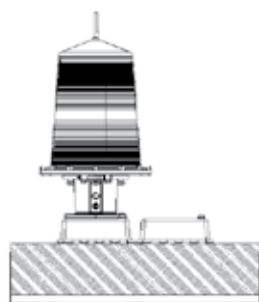
SPK2060-B

- Battery capacity: 12 V / 60 Ah
Available 12 V batteries up to 120 Ah C_{100}
- Solar modules: 2 x 10 W = 20 W
- Use on buoys
- Recommended beacon: BDL120, range up to 7 n.m.



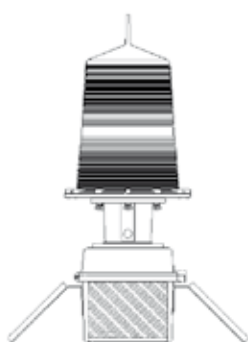
SPK2060-P

- Battery capacity: 12 V / 60 Ah
Available 12 V batteries up to 120 Ah C_{100}
- Solar modules: 2 x 10 W = 20 W
- Use on posts
- Recommended beacon: BDL120, range up to 7 n.m.



SPK2060-Px2

- Battery capacity: 2 x 12 V / 60 Ah = 12 V / 120 Ah
Available 12 V batteries up to 240 Ah C_{100}
- Solar modules: 2 x 20 W = 40 W
- Use on posts
- Recommended beacon: BDL300, range up to 10 n.m.



SPK2060-Bx2

- Battery capacity: 2 x 12 V / 60 Ah = 12 V / 120 Ah
Available 12 V batteries up to 120 Ah C_{100}
- Solar modules: 4 x 10 W = 40 W
- Use on buoys
- Recommended beacon: BDL300, range up to 10 n.m.