

## LED Flashing beacons

### BXL120 • SOLAR COMPACT LED LANTERN



The BXL120 marine lantern is a rugged and lightweight, self-contained flashing beacon, especially designed for high luminous efficiency, low cost and very low maintenance.

Ideal for installations up to 6 n.m., especially for buoy beaconing due to the solar modules distribution. Vertical prism lens cover of 120 mm diameter, with internal high-quality precision moulded condenser lens units. Lantern base is made from high-quality moulded composite plastic, giving an exceptional compact lantern durability and resistance.

This gives low installation and maintenance costs, and an extraordinary long service life in severe marine operating environments.

#### Features

---

- High-performance moulded acrylic lens cover, UV stabilised.
- Clear, red, green or yellow colours available (according to IALA Recommendations).
- Lantern base made in high-quality moulded polyamide & fiberglass composite, highly resistant to marine environment.
- Diode array from one to two tiers of 30-32 light emitting diodes of high intensity.
- DES10 flasher, microprocessor controlled, 256 rhythm selection, photocell and solar charge regulator incorporated.
- Watertight O-ring gasketed flange.
- Four photovoltaic modules mounted around the lantern base.
- Absorbed electrolyte (AGM-Absorbed Glass Mat) battery inside the lantern base, totally free of maintenance.
- Battery charge regulation that optimizes service life.
- Stainless-steel bolted closure.
- External programming by infrared rays.
- Connector for battery charging and programming.

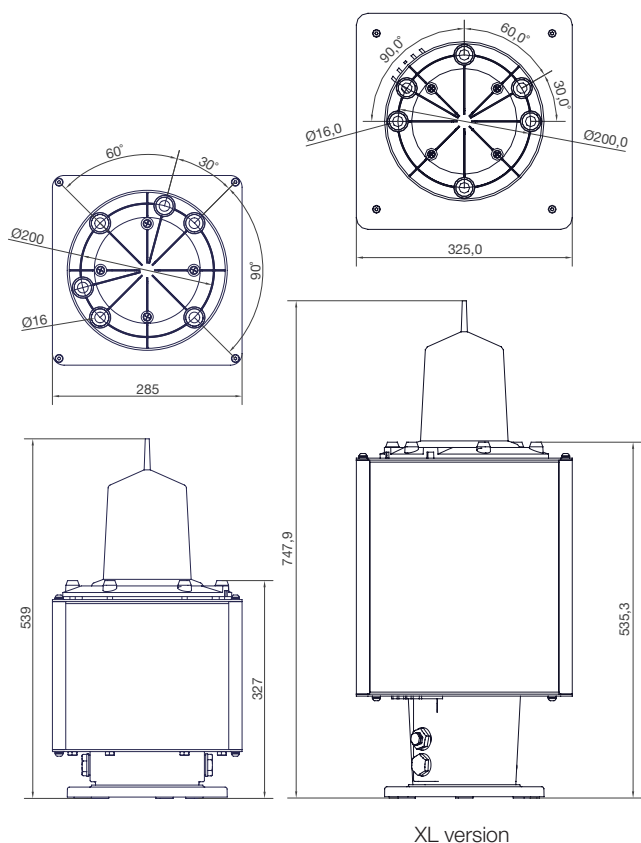
#### Options

---

- SYNC-GPS synchroniser.
- Remote control and monitoring.
- GSM/GPRS Modem.
- Communication cable DES-COM / ProDES programming software.
- Flash characteristic and basic functions programmable through universal IR remote.
- XL version available
  - 4 solar panel of 10 W
  - 1 battery of 26 Ah / 12 V

## Technical specifications

- Luminous nominal range up to 6 n.m. ( $T = 0.74$ )
- Standard vertical prism lens cover, UV stabilised of 120 mm diameter.
- Internal high-quality precision condenser lens units (maximum 2 units)
- Vertical divergence at 50% peak intensity:  $8^{\circ}$ - $10^{\circ}$
- Widely used for short-range beacon applications, including: channel markers, piers, jetties, marine obstructions, structures, piles, fish farms...
- Ideal for buoys to maintain light visibility under high angles of heel.
- Good resistance to impact.
- Operational lifetime of LEDs  $> 100,000$  h
- Mounting base for three or four bolts uniformly distributed over a standard diameter 200 mm bolt hole circle.
- Colours available in clear, red, green and yellow.
- Blue colour available on request.
- Sealed battery, maintenance free of 12 V / 12 Ah  $C_{20}$
- 4 photovoltaic modules of 36 silicon cells and 12 V / 5 W each one, vertical position.
- Disconnexion for storage and transport system.
- External programming by infrared rays.
- Watertightness degree of luminous and control system: IP-68
- Electromagnetic compatibility **CE**
- Net weight: 12,8 kg  
22,5 kg (XL version)
- Shipping data: 50 x 50 x 60 cm (0,15 m<sup>3</sup>) 14 kg  
45 x 45 x 87 cm (0,176 m<sup>3</sup>) 23,5 kg (XL version)



Colour	Nominal range			
	1 Tier		2 Tiers	
	lo (Cd)	n.m.	lo (Cd)	n.m.
White	86	5,1	172	6,2
Green	78	5	156	6
Red	82	5,1	164	6,1
Yellow	70	4,8	140	5,9