

LED Flashing beacons

BDL120-HI • HIGH INTENSITY LED MARINE LANTERN



The BDL120-HI is a rugged and lightweight, compact marine flashing beacon, especially designed for high efficiency, low cost and very low maintenance. Ideal for low powered short or medium range shore and sea installations.

Standard vertical prism lens cover of 120 mm diameter with internal high-quality precision moulded condenser lens units for every LED.

Lantern base is made from high-quality moulded composite plastic, giving an exceptional lantern durability and resistance.

This gives a low installation and maintenance cost, and an extraordinarily long service life in severe marine operating environments.

Features

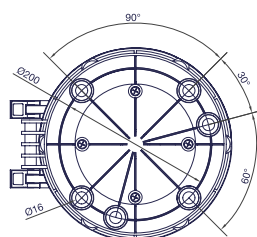
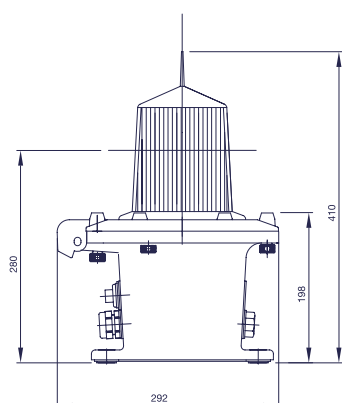
- Acrylic (methacrylate), high-performance moulded lens cover, UV stabilised.
- Clear, red, green or yellow colours are available (according to IALA Recommendations)
- Lantern base made in high-quality moulded polyamide & fiberglass composite, very resistant to marine environment.
- Diode array from one to three tiers of 6 light emitting high-intensity diodes each.
- DES33 flasher, microprocessor controlled and Pulse Width Modulation (PWM) regulation, programmable through microswitches, 256 selectable rhythms.
- Hinged opening for easy service access.
- Easy-handling stainless steel bolted closure.
- O-ring gasketed flange.
- Unsurpassable service life, absolutely sealed photocell gland ($\frac{3}{4}$ " thread), base mounted as standard.

Options

- SYNC-GPS synchroniser.
- GSM/GPRS Modem.
- Remote control and monitoring.
- Communication cable DES-COM / ProDES programming software.

Technical specifications

- Luminous nominal range up to 10 n.m. ($T = 0.74$)
- Standard vertical prism lens cover UV stabilised of 120 mm diameter. Internal high-quality precision condenser lens units (maximum 12 units)
- Input Power for each LED tier (light on): 500 mA LED tier.
- Ideal for solar powered buoys and remote shore installations.
- Vertical divergence at 50 % peak intensity: $4^\circ / 8^\circ$
- Widely used for short-range shore beacon applications including: Channel markers, piers, jetties, marine obstructions, structures, piles, fish farms...
- Ideal for buoys to maintain light visibility under high angles of heel.
- Good resistance to impact.
- Mounting flange allows either three or four bolt installation within a standard 200 mm bolt hole circle.
- Colours available in clear, red, green and yellow.
- Watertightness degree of luminous and control system: IP-67
- Electromagnetic compatibility CE
- Net weight: 4.5 kg
- Shipping data: 31 x 30 x 45 cm (0,04 m³) 5.5 kg (cartoon).



| Colour | Nominal range DV 8° | | | |
|--------|----------------------------|------|---------|------|
| | 1 Tier | | 2 Tiers | |
| | lo (Cd) | m.n. | lo (Cd) | m.n. |
| White | 420 | 7,7 | 840 | 9 |
| Green | 438 | 7,8 | 876 | 9,1 |
| Red | 340 | 7,1 | 680 | 8,6 |
| Yellow | 285 | 7 | 570 | 8,3 |

| Colour | Nominal range DV 4° | | | |
|--------|----------------------------|------|---------|------|
| | 1 Tier | | 2 Tiers | |
| | lo (Cd) | m.n. | lo (Cd) | m.n. |
| White | 755 | 8,8 | 1.510 | 10,1 |
| Green | 507 | 8 | 1.014 | 9,3 |
| Red | 429 | 7,7 | 858 | 9 |
| Yellow | 402 | 7,6 | 804 | 8,9 |