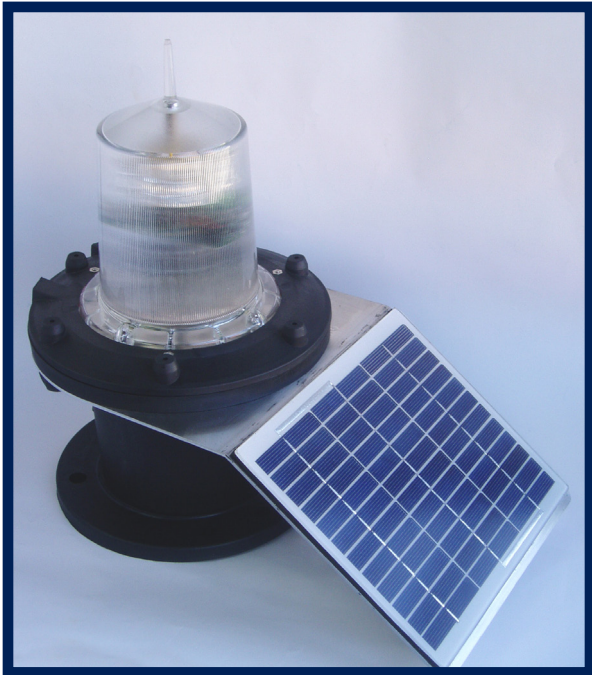


LED Flashing beacons

BKL120-HI • HIGH INTENSITY LED MARINE LANTERN



The BKL120-HI marine lantern is a rugged and lightweight, self-contained and auto-powered flashing beacon, especially designed for high luminous efficiency, low cost and very low maintenance. Ideal for installations of up to 10 n.m. Vertical prism lens cover of 120 mm diameter, with internal high-quality precision moulded condenser lens units. Lantern base is made from high-quality moulded composite plastic, giving an exceptional compact lantern durability and resistance. This gives low installation and maintenance costs, and an extraordinary long service life in severe marine operating environments.

Features

- Diode array from one to two tiers of 4 light emitting high-intensity diodes each.
- High-performance moulded lens cover, UV stabilised.
- Clear, red, green or yellow colours available (according to IALA Recommendations).
- Lantern base made in high-quality moulded polyamide & fiberglass composite.
- DES10 flasher, microprocessor controlled, 256 rhythm selection, photocell and solar charge regulator incorporated.
- O-ring gasketed flange.
- One or two photovoltaic modules of 36 silicon cells and 12 V / 5 W.
- Absorbed electrolyte (AGM-Absorbed Glass Mat) battery inside the lantern base, totally free of maintenance.
- Battery charge regulation that optimises the battery life.
- Stainless-steel bolted closure.
- Connector for battery charging and programming.

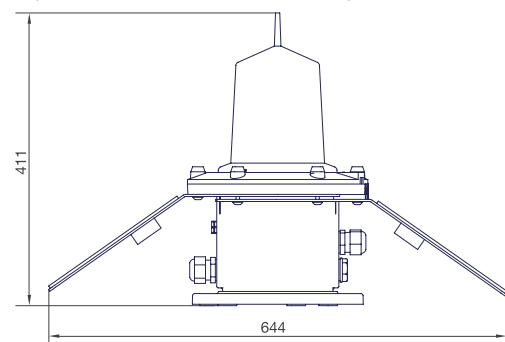
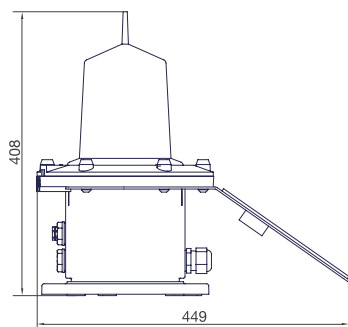
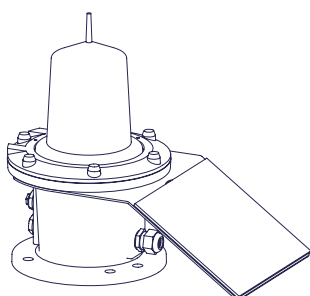
Options

- SYNC-GPS synchroniser.
- Remote control and monitoring.
- Communication cable DES-COM / ProDES programming software.
- Flash characteristic and basic functions programmable through universal IR remote.



Technical specifications

- Luminous nominal range up to 10 n.m. ($T = 0.74$)
- Standard vertical prism lens cover, UV stabilised of 120 mm diameter.
- Internal high-quality precision condenser lens units (maximum 8 units).
- Vertical divergence at 50% peak intensity: 8°
- Widely used for short-range beacon applications, including: channel markers, piers, jetties, marine obstructions, structures, piles, fish farms...
- Ideal for buoys to maintain light visibility under high angles of heel.
- Good resistance to impact.
- Mounting base for three or four bolts uniformly distributed over a standard 200 mm bolt hole circle.
- Colours available in clear, red, green and yellow.
- Blue colour available on request.
- Sealed battery, maintenance free of 12 V / 12 Ah C_{20}
- One or two 12 V / 5 W photovoltaic modules.
- Disconnexion for storage and transport system.
- Watertightness degree of luminous and control system: IP-67
- Electromagnetic Compability **CE**
- Net weight: 10 kg
- Shipping data: 1 solar panel: 70 x 55 x 30 cm (0,116 m³) 11 kg
2 painéis solares: 70 x 55 x 30 cm (0,116 m³) 14 kg



Colour	Nominal range DV 8°			
	1 Tier		2 Tiers	
	lo (Cd)	m.n.	lo (Cd)	m.n.
White	420	7,7	840	9
Green	438	7,8	876	9,1
Red	340	7,1	680	8,6
Yellow	285	7	570	8,3

Colour	Nominal range DV 4°			
	1 Tier		2 Tiers	
	lo (Cd)	m.n.	lo (Cd)	m.n.
White	755	8,8	1.510	10,1
Green	507	8	1.014	9,3
Red	429	7,7	858	9
Yellow	402	7,6	804	8,9

