

LED Flashing beacons

BXL120 • SOLAR COMPACT LED LANTERN



The BXL120 marine lantern is a rugged and lightweight, self-contained flashing beacon, especially designed for high luminous efficiency, low cost and very low maintenance.

Ideal for installations up to 6 n.m., especially for buoy beaconing due to the solar modules distribution. Vertical prism lens cover of 120 mm diameter, with internal high-quality precision moulded condenser lens units. Lantern base is made from high-quality moulded composite plastic, giving an exceptional compact lantern durability and resistance.

This gives low installation and maintenance costs, and an extraordinary long service life in severe marine operating environments.

Features

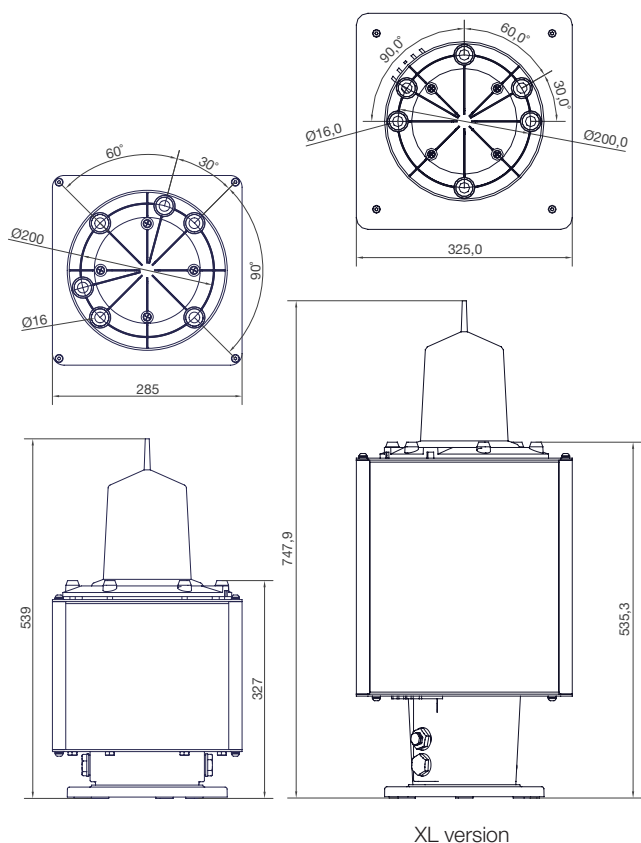
- High-performance moulded acrylic lens cover, UV stabilised.
- Clear, red, green or yellow colours available (according to IALA Recommendations).
- Lantern base made in high-quality moulded polyamide & fiberglass composite, highly resistant to marine environment.
- Diode array from one to two tiers of 30-32 light emitting diodes of high intensity.
- DES10 flasher, microprocessor controlled, 256 rhythm selection, photocell and solar charge regulator incorporated.
- Watertight O-ring gasketed flange.
- Four photovoltaic modules mounted around the lantern base.
- Absorbed electrolyte (AGM-Absorbed Glass Mat) battery inside the lantern base, totally free of maintenance.
- Battery charge regulation that optimizes service life.
- Stainless-steel bolted closure.
- External programming by infrared rays.
- Connector for battery charging and programming.

Options

- SYNC-GPS synchroniser.
- Remote control and monitoring.
- GSM/GPRS Modem.
- Communication cable DES-COM / ProDES programming software.
- Flash characteristic and basic functions programmable through universal IR remote.
- XL version available
 - 4 solar panel of 10 W
 - 1 battery of 26 Ah / 12 V

Technical specifications

- Luminous nominal range up to 6 n.m. ($T = 0.74$)
- Standard vertical prism lens cover, UV stabilised of 120 mm diameter.
- Internal high-quality precision condenser lens units (maximum 2 units)
- Vertical divergence at 50% peak intensity: 8° - 10°
- Widely used for short-range beacon applications, including: channel markers, piers, jetties, marine obstructions, structures, piles, fish farms...
- Ideal for buoys to maintain light visibility under high angles of heel.
- Good resistance to impact.
- Operational lifetime of LEDs $> 100,000$ h
- Service Life: 7/8 years.
- Mounting base for three or four bolts uniformly distributed over a standard diameter 200 mm bolt hole circle.
- Colours available in clear, red, green and yellow.
- Blue colour available on request.
- Sealed battery, maintenance free of 12 V / 12 Ah C_{20}
- 4 photovoltaic modules of 36 silicon cells and 12 V / 5 W each one, vertical position.
- Disconnexion for storage and transport system.
- External programming by infrared rays.
- Watertightness degree of luminous and control system: IP-68
- Electromagnetic compatibility **CE**
- Temperature range: -20 to 60 °C
- Net weight: 12,8 kg
22,5 kg (XL version)
- Shipping data: 50 x 50 x 60 cm (0,15 m³) 14 kg
45 x 45 x 87 cm (0,176 m³) 23,5 kg (XL version)



Colour	Nominal range			
	1 Tier		2 Tiers	
	Io (Cd)	n.m.	Io (Cd)	n.m.
White	86	5,1	172	6,2
Green	78	5	156	6
Red	82	5,1	164	6,1
Yellow	70	4,8	140	5,9